

# EPAL 7 HALF PALLET

800 x 600 mm



The work of the European Pallet Association, its National Committees and licensees forms the stable basis for the successful, open pallet pool and enables the global exchange of EPAL load carriers. The new EPAL 7 half pallet is more robust and longer lasting than the current "Düsseldorfer" half pallet used on the market. The new EPAL 7 half pallets are particularly popular in the drinks and food industry, as well as with discount stores and the retail trade. Constant quality assurance and high quality materials ensure trouble-free, safe performance for users and loading. Their multiple use saves a considerable amount of environmental and economic resources.

## FACTS & FIGURES

Materials: 13 boards of quality timber, 3 blocks, 42 nails, 6 sturdy 3-mm steel angle brackets, 21 tubular rivets. Produced according to the EPAL Technical Regulations.

<b>Length</b>	800 mm
<b>Width</b>	600 mm
<b>Height</b>	163 mm
<b>Weight</b>	Approx. 9.5 kg
<b>Safe working load</b>	500 kg

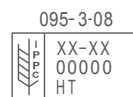
When stacking loaded pallets on a firm and level base, the additional load on the bottom-most pallet must not be more than 1,500 kg.

## QUALITY CONTROL

The international pool of EPAL load carriers is the only load carrier pool in the world subject to independent quality assurance by external inspection companies. This is the only way for EPAL load carriers to guarantee the consistently high quality that they offer the markets.



## MARKINGS



"EPAL in oval" on the three steel angle brackets on the long side.

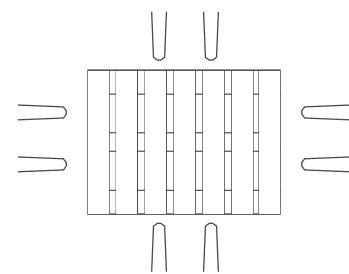
IPPC symbol, country code, registration number of the national plant protection authority, heat treatment, licence number-year-month and "EPAL in oval" on the top side of the bottom boards.



EPAL control staples

## HANDLING

4-sided accessibility with chamfered lower edge boards on both sides enables highly efficient handling during production, storage and transportation all the way along the supply chain. Compatible with all (conventional) standard load carriers, industrial trucks and warehouse systems.



## ISPM 15



Compliance with the ISPM 15 standard is the most essential condition for the unrestricted use of load carriers in the international movement of goods. All EPAL load carriers are therefore produced according to the stringent specifications of the IPPC and can thus be deployed around the globe. Local plant protection agencies will provide information on the countries that recognise the IPPC standard.

## REPAIR



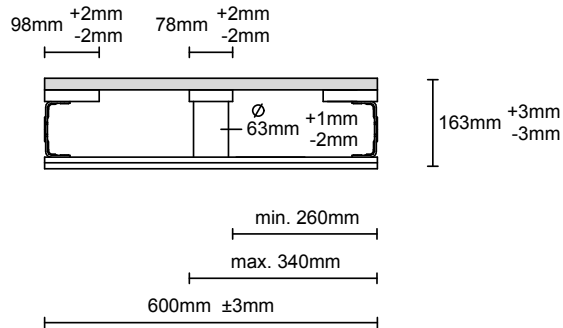
Damaged EPAL pallets can be repaired cost effectively and in a climate-friendly manner by all EPAL-licensed pallet repair operations. Following the quality-assured repair, EPAL pallets repaired according to standard receive a repair marking nail bearing the "EPAL" trademark and the licence number of the repair operation.

# EPAL 7 HALF PALLET

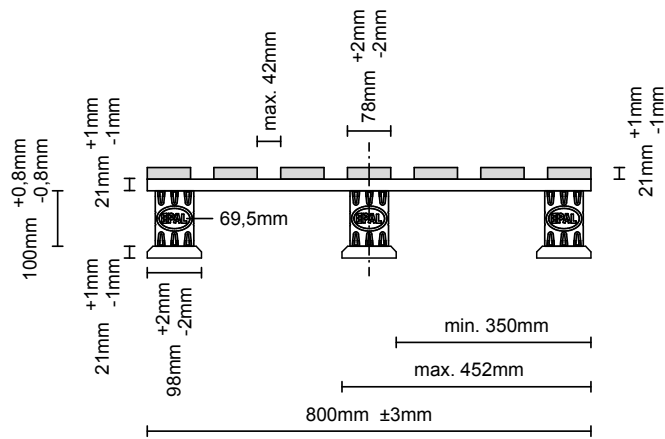
800 x 600 mm



600 mm side



800 mm side



Top view

